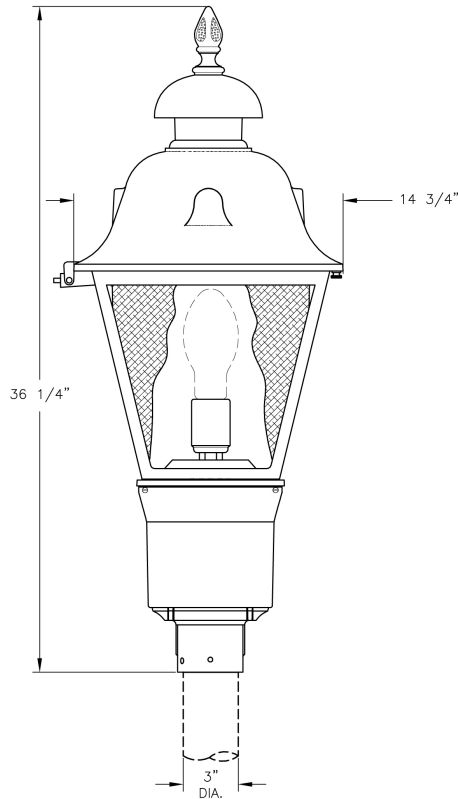


Grande Jefferson (8438) Specification Sheet

Project Name:	Location:	MFG: Philips Lighting
Fixture Type:	Catalog No.:	Qty:



Ordering Guide

Example: 8438 BLK A D 50H E B B

Product Code	8438	Grande Jefferson
Finish	BLK BRZ FGN VGN WHT	Black Bronze Forest Green Verde White
Panel/Globe	A B C D E M P Q GF	Clear Acrylic Opal Acrylic Clear Seeded Acrylic Bronze Tone Acrylic Clear Textured Acrylic Opal Polycarbonate Clear Polycarbonate Prismatic Polycarbonate Flat Glass *1
Socket	D G	Medium Mogul
Wattage/Source	50H 70H 100H 150H 250H 35S 50S 70S 100S 150S 250S 200I	50W MH *2 70W MH *2 100W MH *2 150W MH 250W MH 35W HPS *2,3 50W HPS *3 70W HPS 100W HPS 150W HPS 250W HPS 200W INC *2,3
Voltage	E F G H	120V 208V 240V 277V
Distribution	B C D E M P S T N	6" Type V Distrib. 6" Type III Distrib. 8" Type V Distrib. 8" Type II Distrib. Type III - Cutoff Optic *5 Type V - Cutoff Optics *5 Type III - Full Cutoff Optic *4 Type V - Full Cutoff Optic *4,5 None
Photoeye	B N R	Button Eye None Twist-Lock *5

*1 (GF) clear glass lens only available with (S) and (T) optics.
*2 Only available with medium (D) base socket

Grande Jefferson (8438) Specification Sheet

Project Name:	Location:	MFG: Philips Lighting
Fixture Type:	Catalog No.:	Qty:

- *3 Only available in 120V
- *4 (S) and (T) optics only available with (GF) clear glass lens
- *5 Twist-lock (R) not available with M, P, or T optics

Specifications

CONSTRUCTION:

Cast aluminum finial. Cast aluminum cap and neck. Cast aluminum square hinged roof. Cast aluminum hinged square cage. Cast aluminum post fitter slips over 3" dia. post or tenon.

FINISH:

Resilient TGIC thermoset polyester powdercoat paint is electrostatically applied to every fixture. Specially formulated for Philips Outdoor Lighting, it provides UV protection, and the highest temperature rating in the industry. In addition to the standard color choices shown, a spectrum of custom colors is available.

PANELS/LENS/GLOBE:

See lenses for available options.

LAMPING:

Lamp is not included.

ELECTRICAL ASSEMBLY:

Lantern will be prewired and tested. All electrical components are ETL listed.

BALLAST:

Ballast and component parts mounted inside three-piece cast aluminum moisture proof ballast compartment with hinged access door and slide-out ballast tray. (Customer must specify wattage and voltage.)

MOUNTING:

Fixture mounts to 3" dia. post or tenon.

WARRANTY:

Three-year limited warranty.

CERTIFICATIONS:

ETL Listed to U.S. safety standards for wet locations. cETL Listed to Canadian safety standards for wet locations.

Height:

36 1/4"

Width:

14 3/4"

Fitter:

3" I.D.

EPA:

1.22

Max. Weight:

44 lbs.